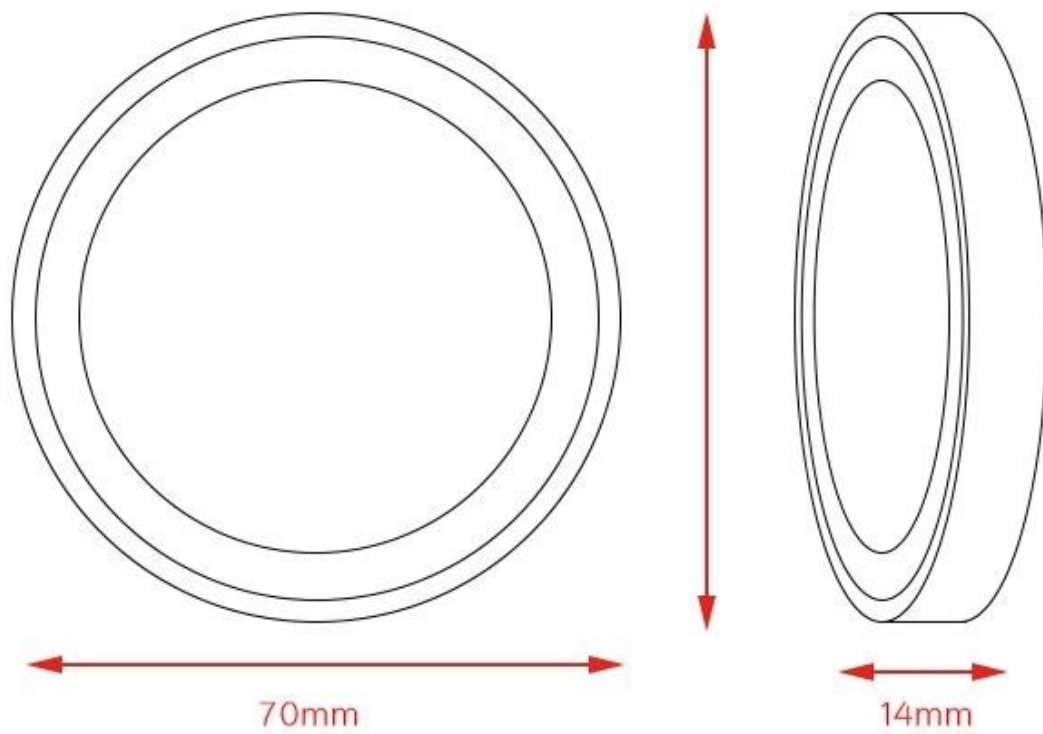


Wholesale bulk 5w ABS Plastic portable wireless phone charger for iphone and for samsung



## Specification

This small [ABS Plastic wireless charger](#) is perfect for the home or office desk. Compatible with iPhone X, iPhone 8, most Samsung phones, or any phone with an appropriate adapter. There are many colors to choose from to match your promotional items. [Bulk wireless charger](#), standard 5 watt output, at cheap price. MOQ is 50pcs .

Item	Promotional ABS Plastic wireless charger
Material	ABS / Plastic
Working wattage	5W
Input	5V 1A
Output	5V 1A
Charging distance	4-8MM
Transfer rate	70%
Package	1*White box +1 * USB Cable







Wireless Charging Pad  
Input DC 5V, 1500mA  
Made in China



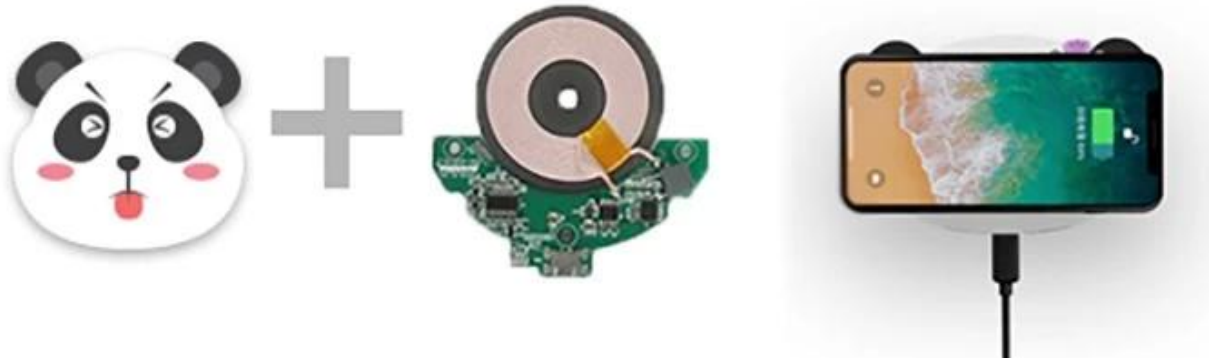




## Custom Design

Step 1 Artwork in 1 day:

Start by sharing what it is you want to create. No need for complicated blueprints. Just tell us what shape of speaker have in mind. Our design will create a digital proof with details and specifications, so you can see what's your speaker look like before deciding.



Step 2 Sample in 5 days:

Once you approve the design, we will submit into sampling. We will create a mold and start produce a sample. It usually takes 5 days for sampling and another 5 days for delivery. We also support digital approve for sampling, we take pictures with PMS matches and size matches, you can see exactly if it matches the artwork.



### Step 3 Production in 10 days

After sample confirmed, we will issue documents to our warehouse managers who preparing materials for your order and then arrange for production, then workers would follow the guidelines for production, QC staff would inspect the products during semi-finished period and fully finished period. After packing and with shipping department, we will send the tracking no to you and update you. Production usually takes 10 working days and 5 for delivery.





## Our Company

We are an electronic promotional products supplier, started in 2006 with **Regular USB drives** for the German market, with our German partners we're able to act quickly for any project our clients ask, in 2009 we added **custom shape USB flash drives** along with sophisticated 3D designers into the office, in 2012 we brought a battery cell supplier for **power banks** and an aging and testing device, in 2014 we joined forces with a **charging cable** sub-supplier. In 2016 we added **Bluetooth speaker** and **wireless chargers** and **lanyard charging cable** in 2017. Every step we involve with the market and ensure our focus goes to design, function, material and cost, so the products we produce can be the powerful gadgets for your presentation.



Our Showroom



Our Team



Our Factory

## **What behind of the products?**

### **Quality control:**

Every product go through full examination, these global organizations says way better than us. We have been BSCI member since 2014, all equipment and work condition comply to BSCI standards. If you need our factory to pass Disney, McDonald, or any audit, we would 100% supportive positive results.



## Professional Design Team

One big factory to get the brands committing an order is the artwork, when a client ask for a quote, they want the artwork done real fast. The reality is lots of company does only have one designer to do all artwork, even worse they ask mould factory to do it. This is happening every day around Gurangdong area. When you visit CWC, you will see 4 in-house designers lined up for process your artwork. The company offer fine welfare system to the designers, in return they give back 50 plus artwork on daily basis.



## Exhibition

We attend 4 exhibitions every year, 2 electronic fair, 1 gift & premium fair and 1 MEGA Show. During each fair, we will release new products developed with our clients. That gives our clients absolute confidence to promote these products in their region, with CWC, there will always be new products that fits their market.





## FAQ

⇒Q:Can I get a sample before mass production?

A: After confirm the price, you can require samples to check the quality.The sample charge and delivery fee negotiable.

⇒Q: If I do not like the color, could I change the color ?

A:Yes,most of our products we have standard colors like green,red, black etc, if all colors could not meet your deeds, we could customized by your PMS. The MOQ is 100pcs.

⇔Q: How about your product quality?

A: Our all products with REAL Capacity, and will be tested by QC teams before shipment, we never produce upgrade chip and defective products.



## Contact

SHENZHEN CWC TECHNOLOGY CO.LTD

TEL: 0086-755-28237523

Email: [sales03@hm-usb.com](mailto:sales03@hm-usb.com)

Website: [www.hm-usb.com](http://www.hm-usb.com)

Website: [www.giftpremiumsupplier.com](http://www.giftpremiumsupplier.com)

Have question about a product, your order or the website?please click  
below to send a message to me